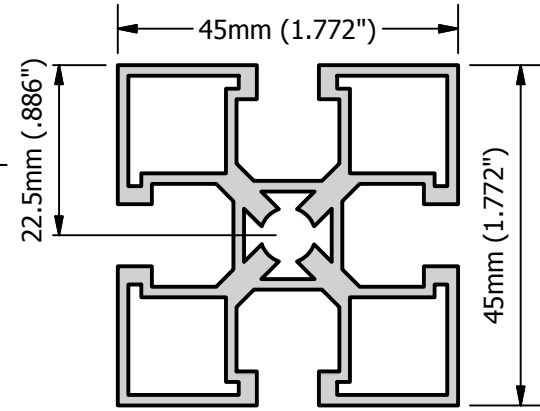


PROFILE 45X45 UL  
OR SPECIFY



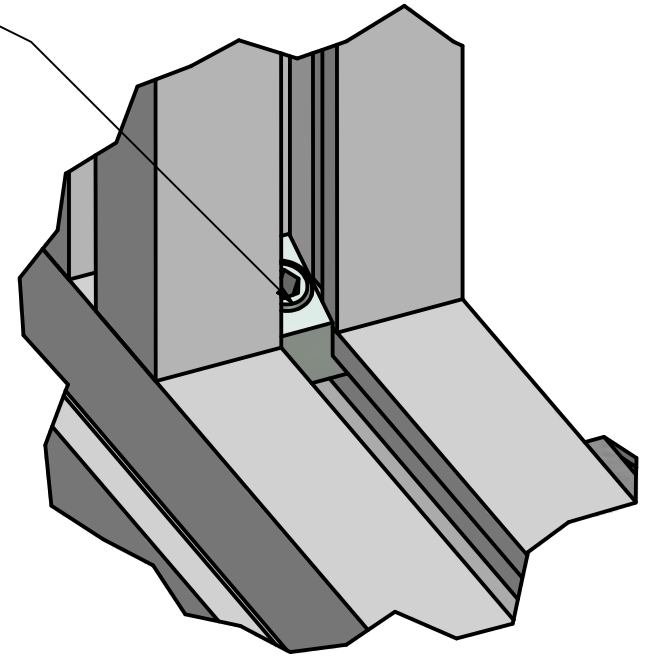
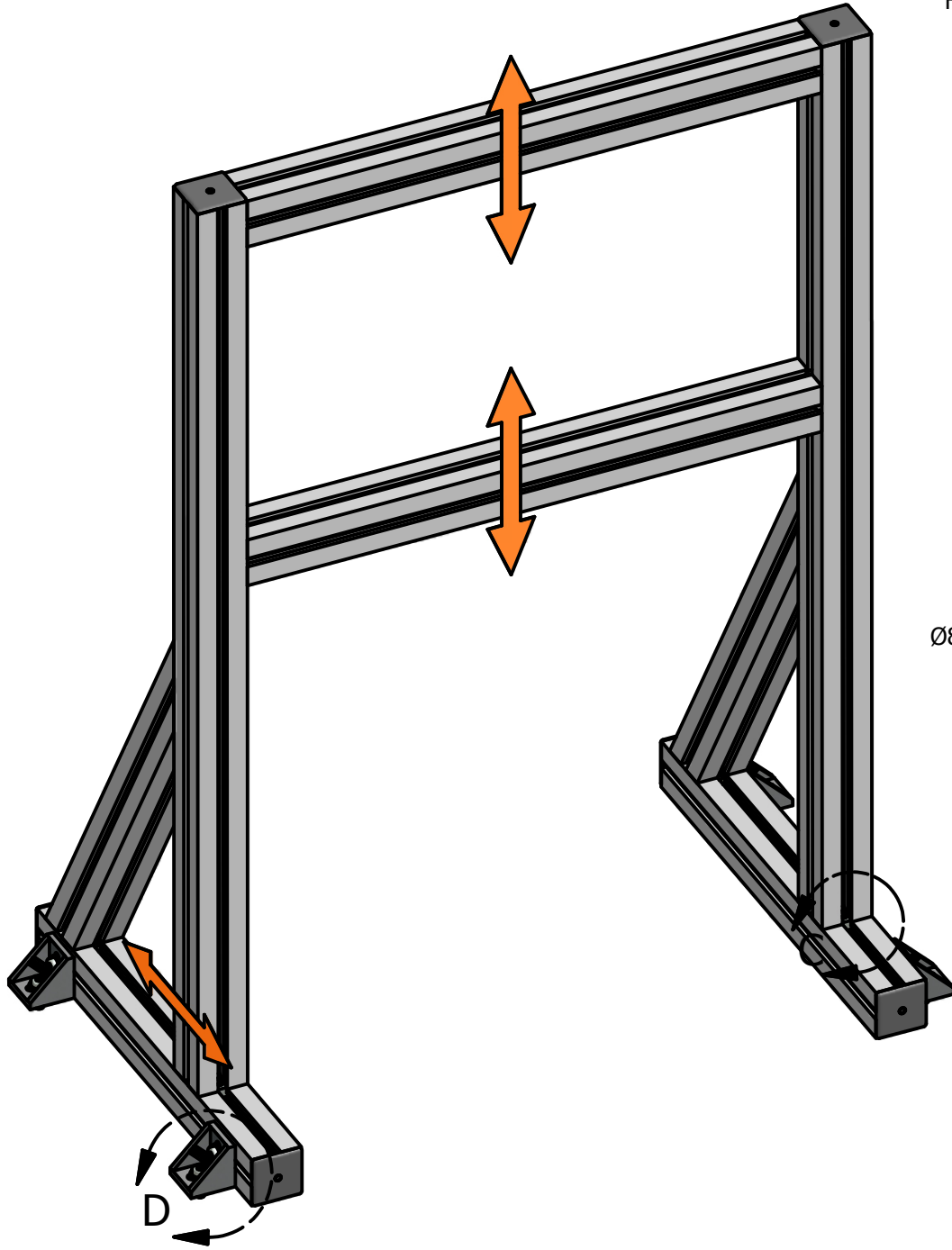
FILL IN DIMENSIONS & E-MAIL  
FOR A QUOTE TODAY:

WIDTH =  
HEIGHT =  
DEPTH =

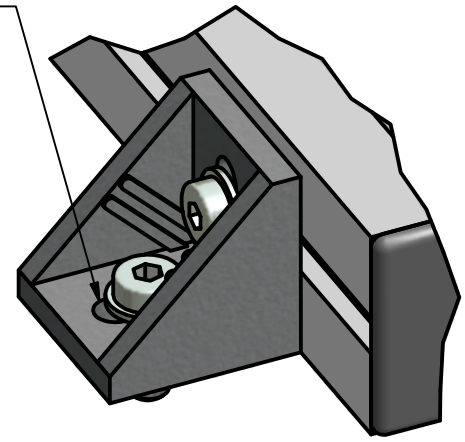
[CLICK HERE TO SEND TO MINITEC](#)


PROJECT SP062116		 <small>WWW.MINITECFRAMING.COM VICTOR, NY PH # 585 924-4690 DIRECT 585 398-1240 EXT 104 FX # 585 924-4821 amoles@minitecframing.com</small>	
DRAWN BY ANDY MOLES			
DATE 6/21/2016			
DRAWN FOR MINITEC'S CUSTOMER	TITLE CONTROL BOX STAND	DWG NO <b>SP062116</b>	REV
<small>TOLERANCES UNLESS OTHERWISE NOTED .X +/- .125" .XX +/- .015" .XXX +/- .010"</small>		MATERIAL	SHEET 1 OF 2
		FINISH	

PROFILES ARE CONNECTED WITH ADJUSTABLE POWER-LOCK FASTENER



Ø8mm (5/16") SLOT FOR MOUNTING TO TABLE OR FLOOR



PROJECT SP062116			WWW.MINITECFRAMING.COM	
DRAWN BY ANDY MOLES			VICTOR, NY	
DATE 6/21/2016			PH # 585 924-4690 DIRECT 585 398-1240 EXT 104 FX # 585 924-4821 amoles@minitecframing.com	
DRAWN FOR MINITEC'S CUSTOMER	TITLE CONTROL BOX STAND	DWG NO <b>SP062116</b>	REV	
TOLERANCES UNLESS OTHERWISE NOTED X +/- .125" .XX +/- .015" .XXX +/- .010"		MATERIAL	FINISH	
				SHEET 2 OF 2